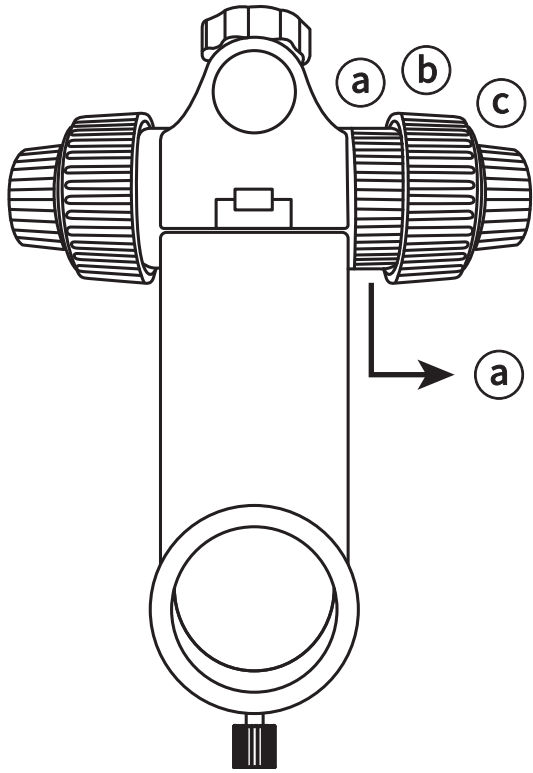


Gear box control :

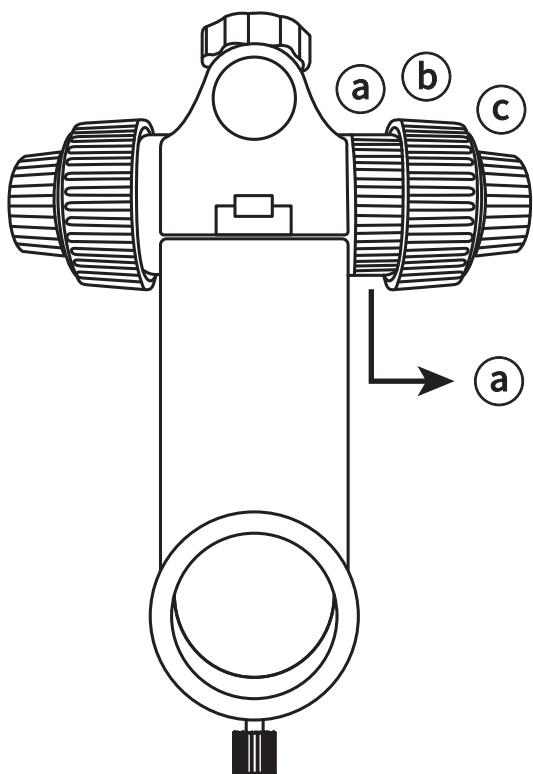
Model :

UM20-GN08 / UM20C-CSZ064 / UM20C-CSZ064C /

UM30-GN08 / UM30C-CSZ064 / UM30C-CSZ064C / S-112



Ⓐ When turning **downward**, Ⓑ the knob will loosen,
Ⓒ the knob will tighten.



Ⓐ When turning **upward**, Ⓑ the knob will tighten,
Ⓒ the knob will loosen.